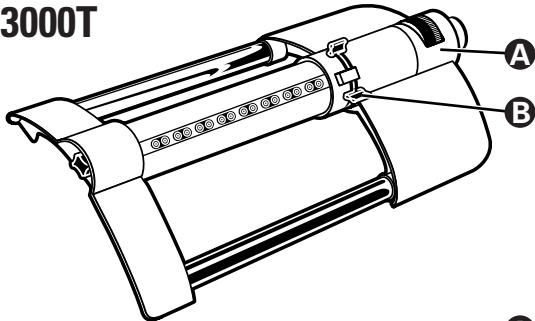
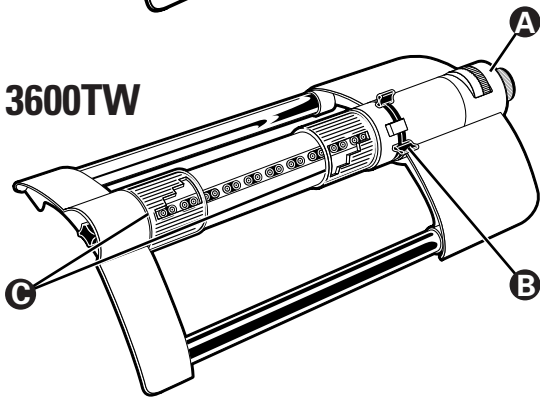


Dial-A-Time™ Sprinkler Oscillator

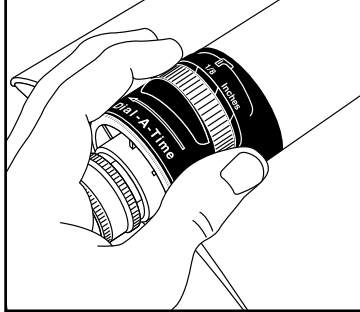
3000T



3600TW



A Dial-A-Time™

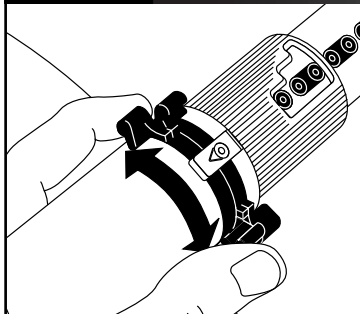


The Dial-A-Time allows you to choose any setting up to one half inch of water or up to four hours of watering time. To set watering session, turn dial to desired inch or time marking. For unlimited watering, turn dial to "full on" position.

Note: Depending on the pattern you set for your oscillator using Pinch-Set™ Tabs, watering time will vary. For example, if you set a narrow pattern, the session will take less time than if you set a wide one. Time settings will also vary

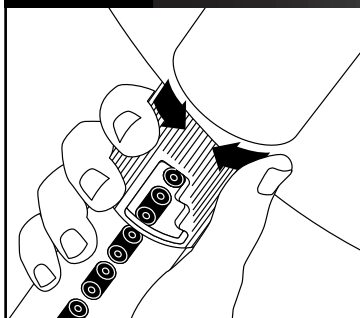
depending on your household water pressure. The time settings were calibrated with Pinch-Set Tabs and Width Control collars in full open position using 45 psi. To determine the exact amount of time it takes your oscillator to run before shutting off, we recommend that you set the dial at one hour with the Pinch-Set Tabs in your favorite position. Measure the time it takes for the unit to shut off. Regardless of the pattern you set, the oscillator will always deliver the precise amount of water (in inches) you designate.

B Pinch-Set™ Tabs



Easy adjustment of spray arc from all to any part of a 160° arc. Just pinch each pair of tabs together and move them to the desired position. Check pattern adjustments without shutting off the water. With the water on, FIRMLY twist the spray tube until it reaches one of the two tab stops. Hold it there while you make adjustments. The clicking sound you hear is the reversing motor. You will not harm the motor by holing or twisting the tube.

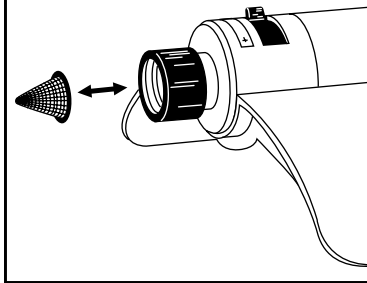
C Pattern Width Control



To adjust spray width, twist one or both clear collars to cover up to six nozzles.

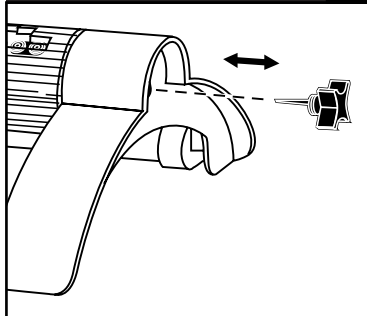
Dial-A-Time™ Sprinkler Oscillator

Maintenance



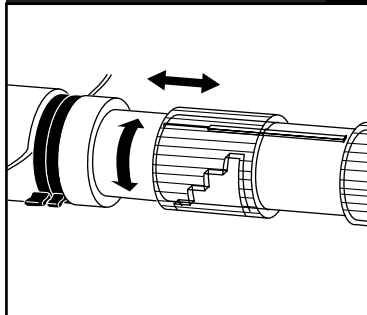
Cone Filter: To clean filter, remove it and flush with clean water. If the filter develops a hole or needs to be replaced, make sure it is a high quality screen filter. Be sure to replace the filter with the cone pointing out.

Maintenance



Cleaning Spray Nozzles: Unscrew the spray tube plug from the end of the spray tube and turn the water on. Starting with the nozzle closest to the motor and working to the opposite end of the tube, use the thin "pick" on the end plug to unclog nozzles. When finished, turn the water off and replace the end plug.

Maintenance



Cleaning Spray Nozzles: Unscrew the spray tube plug from the end of the spray tube and turn the water on. Starting with the nozzle closest to the motor and working to the opposite end of the tube, use the thin "pick" on the end plug to unclog nozzles. When finished, turn the water off and replace the end plug.